

Your No. 1 European Source for RF & Microwave Components

Connector
2.92mm (K) Receptacle Connectors
Pin Dia.= 0.51mm/0.020"



Part Number: AT37P-37461-E-AP

Page 1 of 2

Electrical Specification

Parameter	Unit	Specification
Frequency Range	GHz	DC ~ 40
VSWR	:1	1.15 max
Dielectric Withstanding Voltage	V	750
Impedance	Ω	50

Mechanical Specification

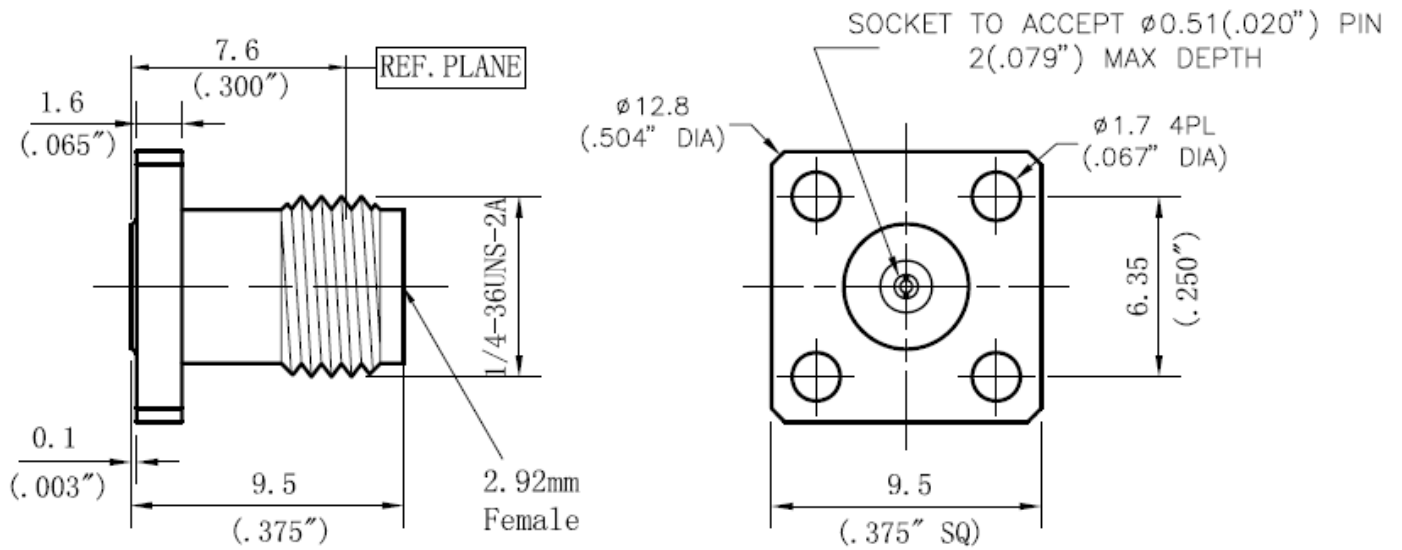
Parameter	Specification
Housing	Stainless Steel SU303 (Polished/Passivated)
Centre Contact	Beryllium Copper, Gold Plated (MIL-G-45204)
Insulators	PEI or PEI & PTFE
Durability	500 Cycles
Interface	2.92mm Per MIL-STD-348A

Environmental

Parameter	Specification
Temperature Range	-55°C ~ +165°C

17/08/2018

Dimensions Units: mm (inches)



17/08/2018